



Fully automatic parking systems

Always a premium solution

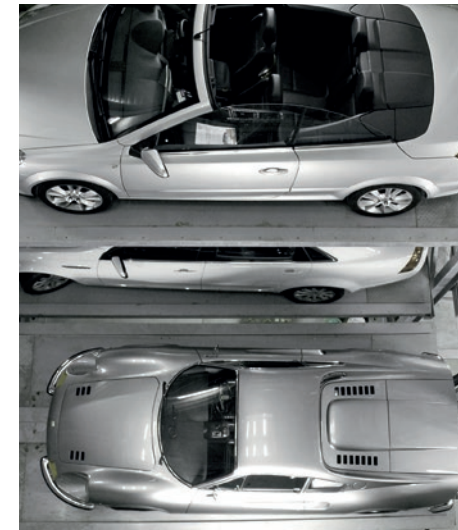


Perfect parking solutions for high-end properties.

The value of a property is determined by a range of components—good parking is a major factor. This is where KLAUS Multiparking fully automatic parking systems have the edge on all levels. They offer users practically unbeatable ease of parking, automatically eliminating the search for parking spaces as well as driving in and out. They also achieve an amazing use of space—something that is decisive for the profitability of residential and commercial projects.

Premium quality since 1964. Made in Aitrach, Germany.

Every parking solution from KLAUS Multiparking starts with a thorough consultation. You benefit from our extensive expertise and many years of experience. Ever since 1964, KLAUS Multiparking has specialised in the production of vehicle parking systems. Meanwhile, we have built more than 500,000 parking spaces worldwide and are one of the major suppliers of multiparking systems. Every one of our innovative products is made in Germany, meeting the highest quality requirements. For long-lasting and reliable solutions that add real value to your property.



Your advantages as a property investor or building contractor:

- ❑ **Always the right solution:** Flexible adaptation to your site conditions as well as freely selectable and combinable level heights (except MasterVario F2).
- ❑ **Cost and time saving during construction:** Up to 50 percent less space used compared to conventional parking spaces. No need for ramps, access lanes and parking decks or their fittings.
- ❑ **Usage control and billing of costs:** Connection to various access and payment systems possible.
- ❑ **Reliable at all times:** Maximum functional reliability due to remote monitoring and maintenance.

Your benefits as a user:

- ❑ **Effortless parking:** Fast and safe positioning with integrated parking assistance and vehicle turntables, ensuring you always drive in and out forwards.
- ❑ **Barrier-free parking:** Ideal for people with limited mobility.
- ❑ **Secure shelter:** Your car is protected from damage, theft and inclement weather such as hail.
- ❑ **Safe access:** No dark, narrow ramps or entrances.



Overview of type designations.



Click for more information

All automatic parking systems, product clips, detailed information and reference projects also at: www.multiparking.com/automaticparker

Or simply scan QR code:



Type designation

Z-axis: Number of vehicles side by side

Y-axis: Number of levels

Number of system axes

Transport directions

OM = Entrance above at centre
 OS = Entrance above at side
 M = Entrance at centre
 US = Entrance below at side
 UM = Entrance below at centre

» MASTERVARIO R3L-2-5-1-OM-DS-20SP «

R = Tower system or shelf system
 F = Layer system
 LS = Lift/shuttle system
 S = Smart system

X-axis: Number of vehicles behind each other

Number parking spaces

L = Lengthways storage
 C = Sideways storage

Vehicle turntable



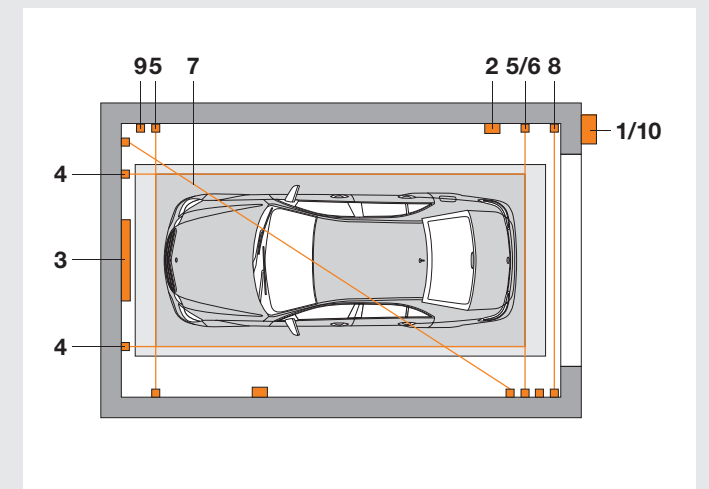
Transfer area

- 1 Card reader:
 - Flush
 - Surface-mounted
 - On a pillar
- 2 Emergency off
- 3 Large-print display
- 4 Width monitor
- 5 Length monitor
- 6 Height monitor
- 7 Pallet occupied
- 8 Exit monitor

- 9 Motion sensor
- 10 Traffic lights

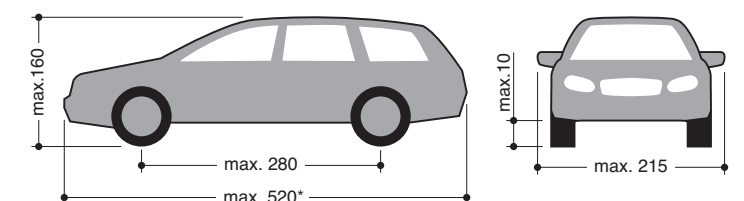
Optional extras:

- Door guard switch (if a side door is used)
- Open-door button for main door receiver for remote control



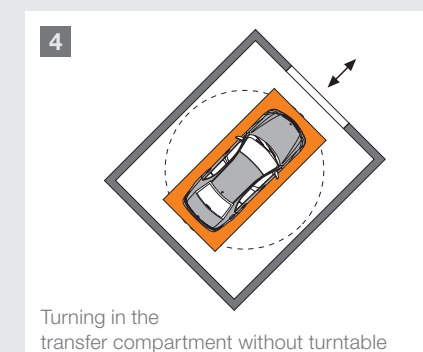
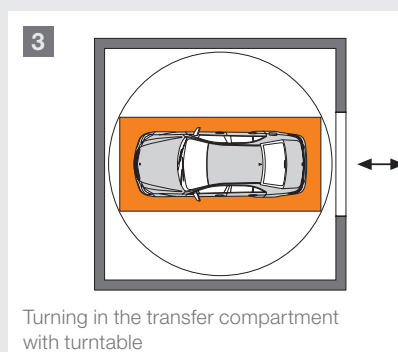
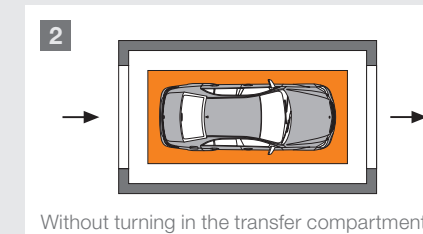
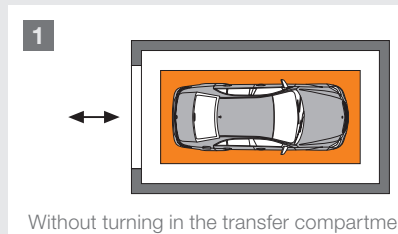
Vehicle dimensions

- Weight: standard 2,500 kg
- Wheel load: max. 625 kg
- Other vehicle dimensions and weights are possible on request
- Various vehicle heights on different levels are also possible (except F2)



* For technical reasons, these dimensions may vary depending on the system size. We will be happy to advise you.

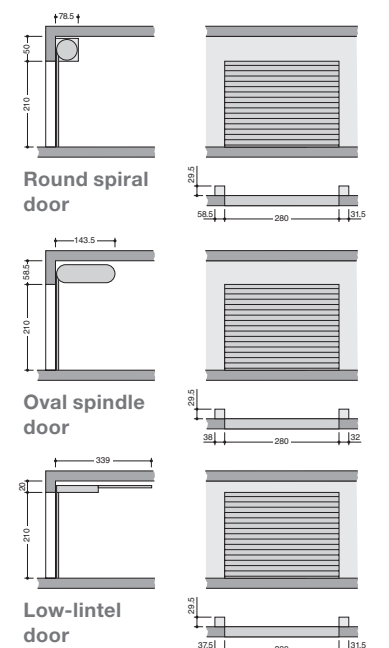
Transfer compartments



1 With one door: Drive in forwards, reverse out. 2 With two doors: Drive in forwards, drive out forwards. 3 With vehicle turntable and one door: Drive in forwards, drive out forwards. 4 Furthermore, driving in and out at various angles is possible.

All dimensions in cm. We reserve the right to make technical changes.

Main door





In tower systems cars reach new heights.

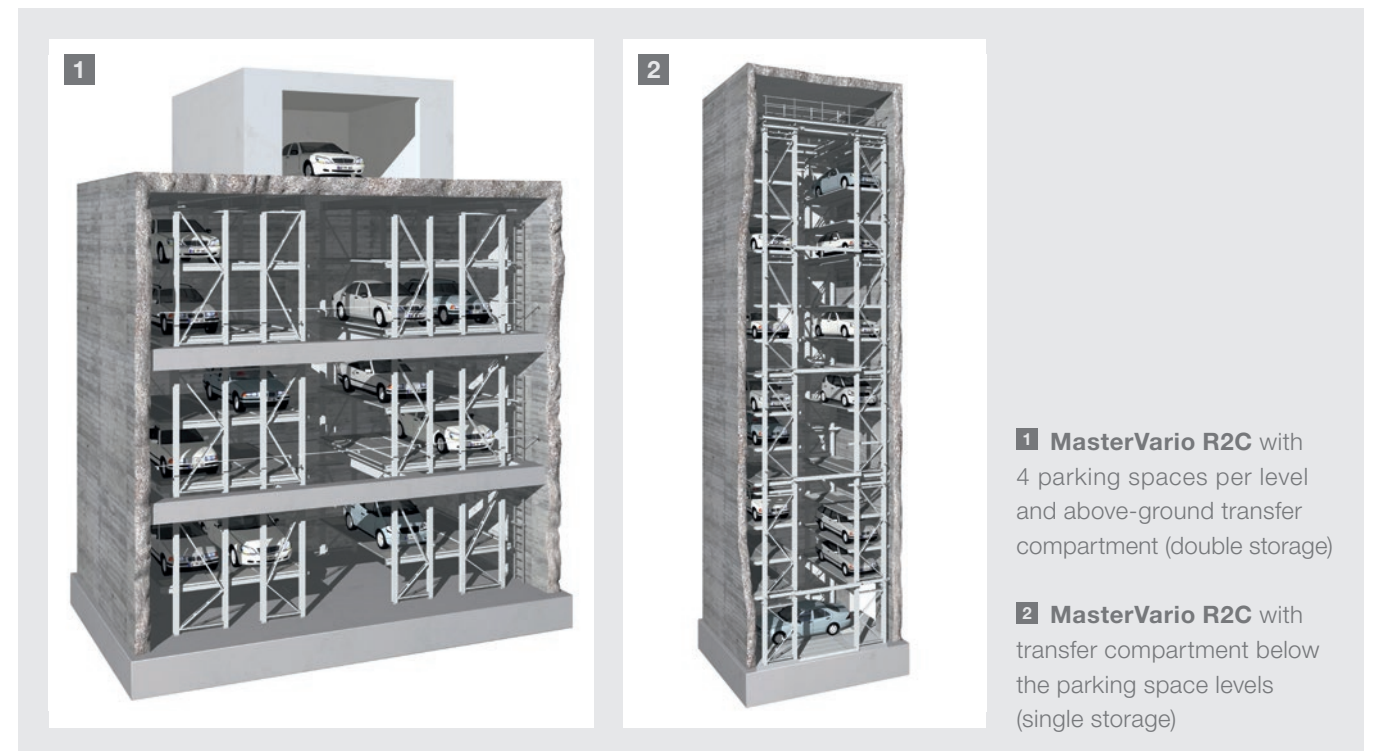
Automatic tower systems from KLAUS Multiparking are real space-savers because they efficiently utilise space above and below ground. That makes them first choice wherever only a small ground space is available. The vehicles are transported by a lift that takes them directly to a free parking space.

Australia, Parramatta: Parking can be this easy.

In Parramatta, a suburb of Sydney, a modern apartment block was built in 2013. The parking system is also top quality. 22 parking spaces plus 2 visitor parking spaces in the MasterVario R2C offer residents full-comfort parking. A special feature is that they can request their vehicles directly from their apartment.

For guests to the building:

Residents and visitors use the parking spaces jointly. Drivers drive into and out of the transfer compartment through the main building.



1 MasterVario R2C with 4 parking spaces per level and above-ground transfer compartment (double storage)

2 MasterVario R2C with transfer compartment below the parking space levels (single storage)

MasterVario R2

The combination of small ground space and maximum vertical extension makes the MasterVario R2 a premium solution that makes optimal use of the available space. Whether the vehicle is a standard-dimension car or an SUV. What's more, this system allows fast access times. Also available on request are higher loads per parking space.

- ▣ **Required ground space:** Low
- ▣ **Vertical levels:** Up to 15 parking levels
- ▣ **Horizontal levels:** 1 to 6 parking spaces per level
- ▣ **Vehicle dimensions:** Length 520 cm, width 215 cm (further dimensions optionally available), height as required, two different car heights are also possible
- ▣ **Parking space layout:** One, two or three rows, to the right and/or left of the lift (C = sideways storage, L = lengthways storage)
- ▣ **Operation:** Access control via transponder, remote control
- ▣ **Transfer compartment:** At ground level or in the basement
- ▣ **Vehicle turntable:** Optionally available



Number of parking spaces Above-ground and/or underground possible
 Standard load per parking space in kg Lift for vertical transport



In shelf systems, cars always take the right side.

As flexible as a tower system, but with an added advantage. The design principle borrowed from high bay warehouse systems means shelf systems transport vehicles not only vertically, but also diagonally. That makes these systems ideal for a large number of parking spaces on **sites or in buildings that are narrow and long.**

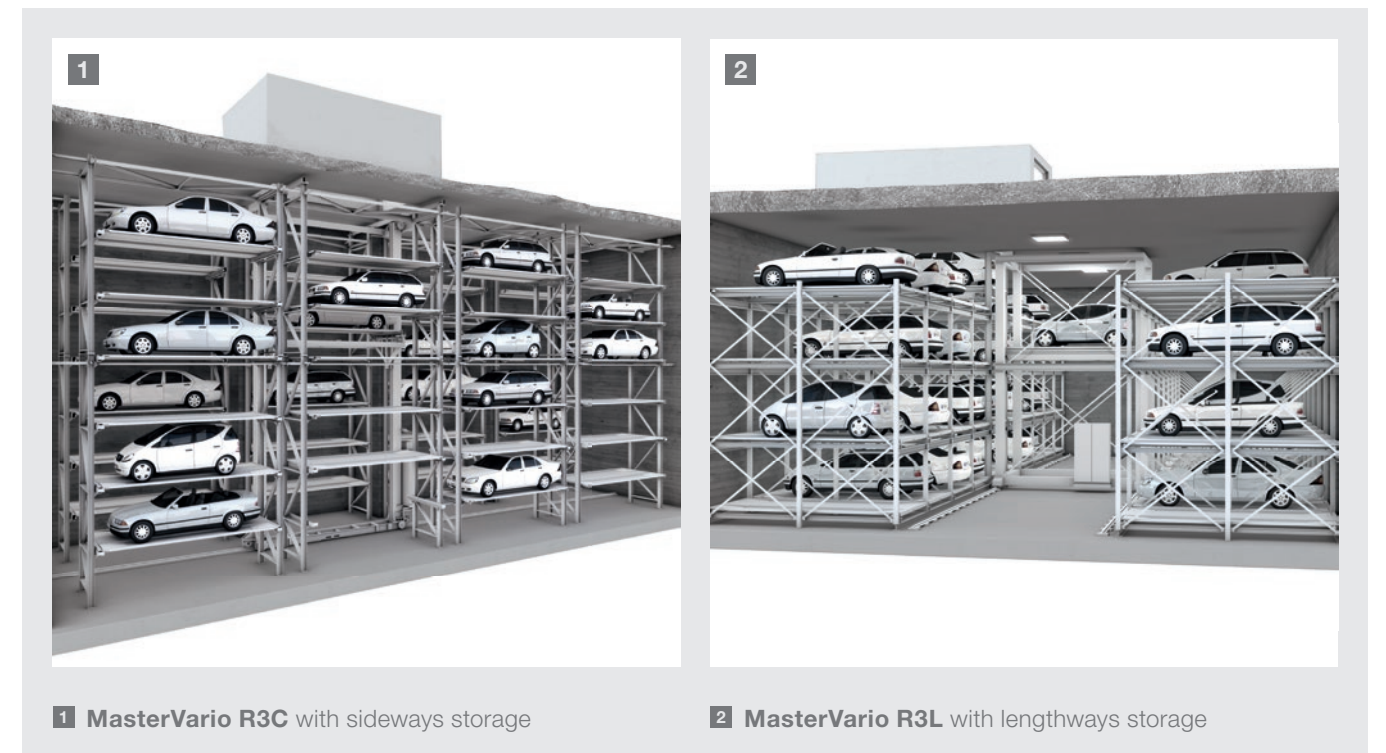
London, UK: Valuable parking space in the megacity.

At 310 m, "The Shard" designed by Renzo Piano is the tallest building in the EU. And even below ground, the glazed complex is exceptional. On six underground levels with eight parking spaces each, the fully automated MasterVario R3 shelf system provides fast, safe and space-saving parking. What's more, with the KLAUS Multiparking solution, the 48 parking spaces require 40 percent less room than conventional garages. The lucky people who benefit from a parking space right in the centre of London are mainly guests of the luxury Shangri-La hotel and owners of luxury apartments.



08

No-fuss parking in the heart of London: Safe parking spaces for 48 cars on six underground levels.



1 MasterVario R3C with sideways storage

2 MasterVario R3L with lengthways storage

MasterVario R3

Up to 10 levels and 30 vehicles per level: The MasterVario R3 concentrates the parking area of a multistory car park into a minimum space. To benefit from fast access times, no more than 50 to 60 vehicles should be allocated to each transfer compartment. Vehicles of different heights can be accommodated, and special solutions are available for vehicles with non-standard dimensions and weights.

- **Required ground space:** Long
- **Vertical levels:** Up to 10 parking levels
- **Horizontal levels:** Up to 30 parking spaces per level
- **Vehicle dimensions:** Length 520 cm, width 215 cm (further dimensions optionally available), height as required, two different car heights are also possible
- **Parking space layout:** two or three rows to the right and/or left of the storage and retrieval unit, R3C: 10 vehicles behind each other (C = sideways storage), R3L: 20 vehicles next to each other (L = lengthways storage)
- **Operation:** Access control via transponder, remote control
- **Transfer compartment:** At ground level or in the basement
- **Vehicle turntable:** Optionally available



09

- max. 50-60 Number of parking spaces
- max. 2500 Standard load per parking space in kg
- max. 50-60 Above-ground and/or underground possible
- max. 2500 Lift for horizontal and vertical transport



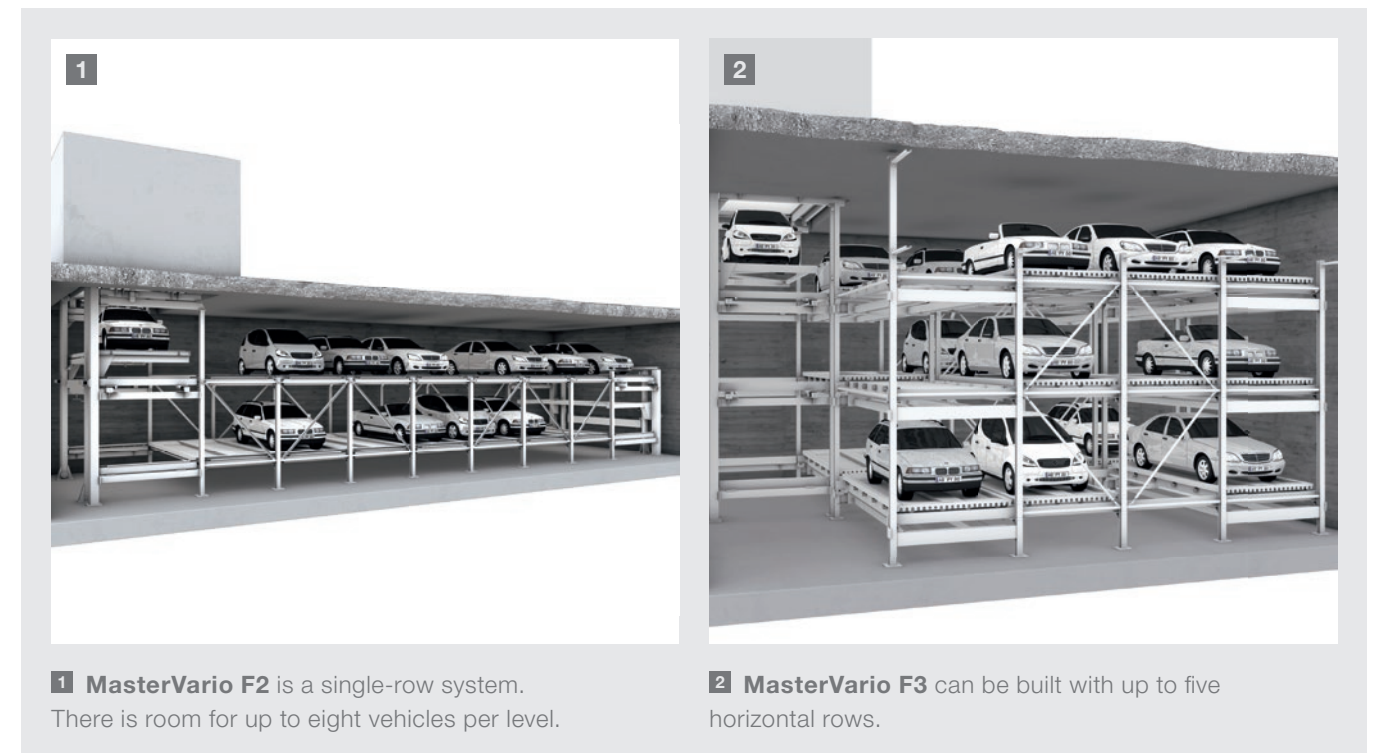
In layer systems, cars stand easily yet snugly.

Wherever a high parking space density is required, automatic layer systems from KLAUS Multiparking are the right choice. They optimally utilise the available space on several parking levels. On a narrow site, a single-row layer system is ideal, while square sites are suitable for several rows.

Munich, Germany: Always a free parking space in the city centre.

A new office and retail centre was built not far from the Marienplatz in Munich. Parking spaces are at a premium in this attractive city centre location. Despite this, staff don't have to worry because the MasterVario F3 provides 20 parking spaces.

No more looking for a parking space: Straight from the transfer compartment, the vehicles go into one of the 20 parking spaces



1 MasterVario F2 is a single-row system. There is room for up to eight vehicles per level.

2 MasterVario F3 can be built with up to five horizontal rows.

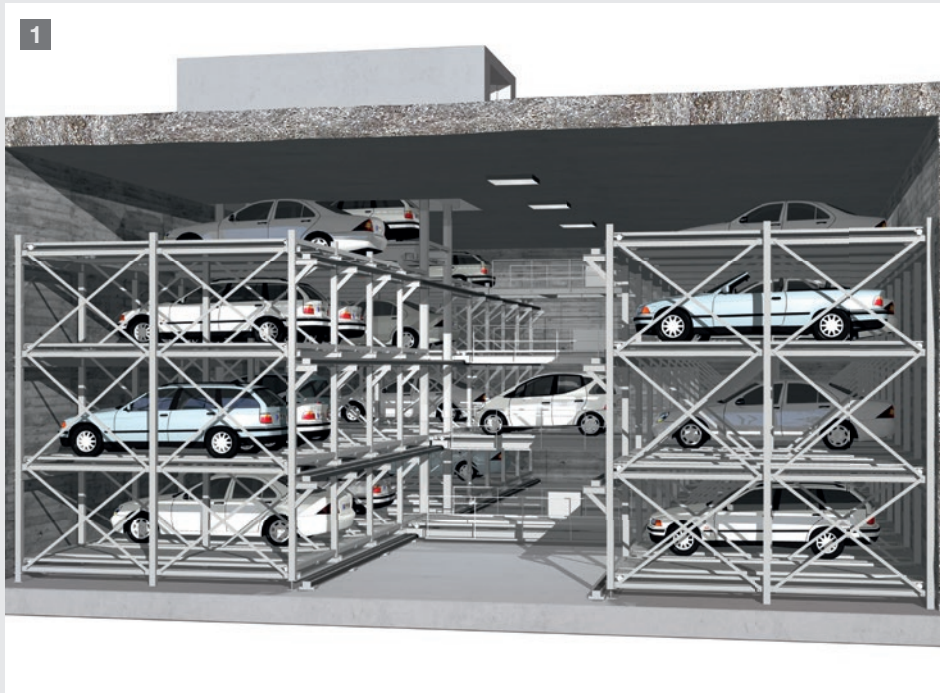
MasterVario F2 and F3

Whether you choose the single-row MasterVario F2 or the multi-row MasterVario F3, both systems are ideal for up to 50 vehicles. Depending on the number of parking spaces per level, up to five levels can be installed. Both systems are available for any vehicle height you specify – however, the MasterVario F2 requires a uniform vehicle height. Higher loads are optionally available for both systems.

- ▣ **Required ground space:** Low
- ▣ **Vertical levels:** Up to 5 parking levels
- ▣ **Horizontal levels:** Per level one row for 4 to 8 vehicles (MasterVario F2)
- ▣ **Horizontal levels:** Per level 2 to 5 rows, per row up to 8 vehicles (MasterVario F3)
- ▣ **Vehicle dimensions:** Length 520 cm, width 215 cm (other dimensions optionally possible), height can be selected as required (F2: uniform height, F3: different heights per level possible)
- ▣ **Operation:** Access control via transponder, remote control
- ▣ **Transfer compartment:** Situated either at ground level or underground
- ▣ **Transfer unit:** With horizontal and vertical conveying unit
- ▣ **Vehicle turntable:** Optionally available



▣ max. 50 Number of parking spaces
 ▣ 5/5 Above-ground and/or underground possible
▣ 2500 Standard load per parking space in kg
 ▣ Lift for vertical transport



1 MasterVario LS transports vehicles by lift to the parking level and by shuttle to the parking space

In lift/shuttle systems, cars learn to change stations.

Lift/shuttle systems apply the design principle behind high bay warehouses. As a result, they can accommodate a large number of vehicles. The vehicles are transported to the various parking levels by one or more lifts, then a shuttle takes them to a free parking space. This system is ideal for **square sites with a large ground area.**

MasterVario LS

The MasterVario LS is the best choice for projects that require as many parking spaces as a multistory car park. Because the lifts and shuttles can work in parallel, users benefit from fast access times. As a vehicle drives into the transfer compartment, the system detects its height and transports it to the corresponding parking level. Apart from systems for standard car dimensions and weights, special solutions are available on request.

- ❑ **Required ground space:** Square
- ❑ **Vertical levels:** 2 to 10 parking levels
- ❑ **Horizontal levels:** Up to 60 parking spaces per parking level in one or two rows
- ❑ **Vehicle dimensions:** Length 520 cm, width 215 cm (further dimensions optionally possible), height can be selected, two different car heights possible
- ❑ **Shuttle:** Horizontal layout of cars on the parking levels
- ❑ **Operation:** Access control via transponder, remote control
- ❑ **Transfer compartment:** Situated either at ground level or underground, several transfer compartments are possible
- ❑ **Vehicle turntable:** Optionally available



Number of parking spaces Above-ground and/or underground possible

Standard load per parking space in kg Lift for horizontal and vertical transport

12



1 MasterVario S with retracting access station

In smart systems, cars sink out of sight.

Is it possible to accommodate a parking system on a three-metre-wide site? Yes, with a smart system from KLAUS Multiparking. That's why this solution is ideal for **very narrow sites.** Furthermore, it can be seamlessly integrated into the surroundings. Smart systems also stand out for their cost-effectiveness.

MasterVario S

The MasterVario S not only requires just a small site, it can also be made completely invisible. The access station is fully retracted after access and exit, leaving the surface free to be driven on. There is room in the MasterVario S for all normal vehicle models.

- ❑ **Ground space requirement:** Small and narrow
- ❑ **Installation width required:** Less than 3.0 m
- ❑ **Vertical levels:** 2 to 6 parking levels
- ❑ **Horizontal levels:** 1 to 4 car parking spaces per parking level
- ❑ **Vehicle dimensions:** 3 vehicle heights and 3 vehicle lengths possible (however, uniform per system)
- ❑ **Layout:** Underground, single or double, in each case in front of and/or behind the access station
- ❑ **Access station:** Layout flush with the ground, can be driven/walked on when retracted
- ❑ **Operation:** Access control via computer terminal and transponder
- ❑ **Top surface can be freely designed:** Cassette-type cover, can be designed to blend in with surroundings on request



13

When you smile, we have achieved our goal.

Premium parking systems from KLAUS Multiparking are tailored to individual requirements. By making the best possible use of available space, they truly make parking a breeze. Every one of our systems is the result of decades of experience, established expertise and the exceptional quality that is expected from products made in Germany.

KLAUS Multiparking is active all over the world: With over 500,000 parking spaces created and 65 sales partners representing every continent, we are one of the top international suppliers of innovative multiparking systems.



P A R K & S M I L E

KLAUS Multiparking GmbH | Hermann-Krum-Straße 2 | 88319 Aitrach | Germany
Service line: +49 1805 082244* | Phone: +49 7565 508-0 | Fax: +49 7565 508-88
info@multiparking.com | www.multiparking.com | www.facebook.com/Multiparking



* 14 cents/min. from a German landline. Other providers' charges may vary.